

For detailed video installation instructions, please go to: www.unex.com/documents/installation-guides/

A SpeedCell bay requires the use of pallet rack beams and posts.
Please reference your SpeedCell configuration drawing for exact layout.

Assembling SpeedCell requires:

- Phillips screwdriver
- Drill with 5/16" nut driver

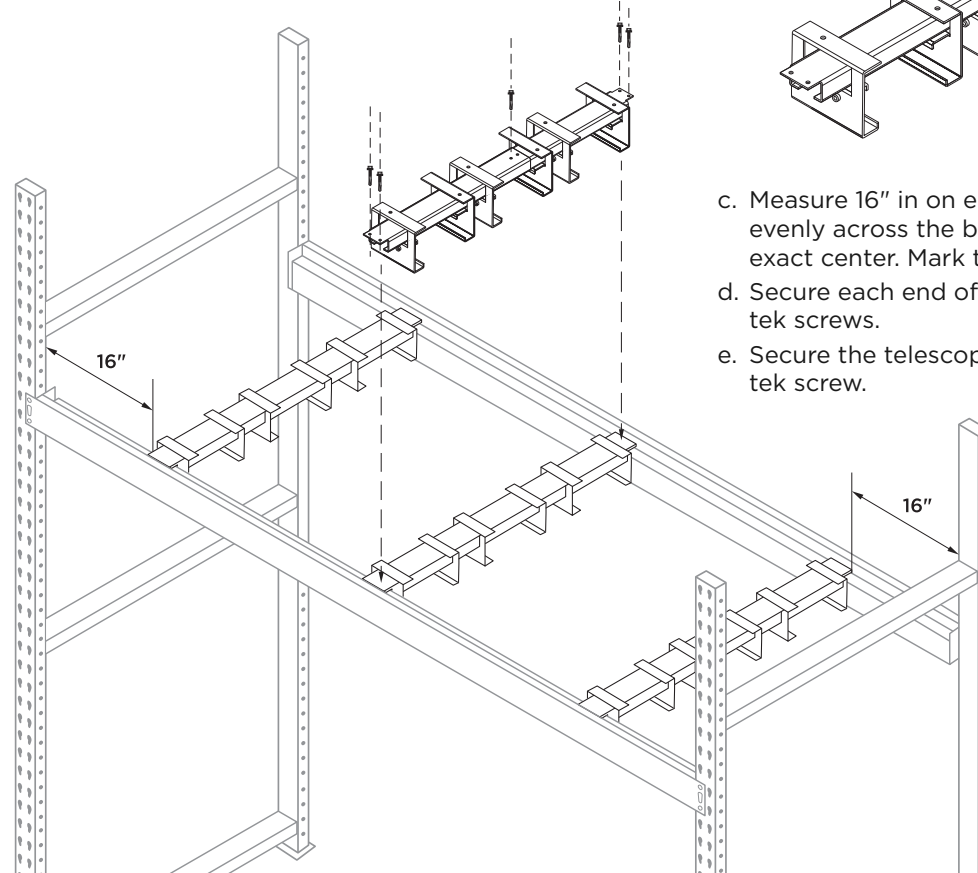
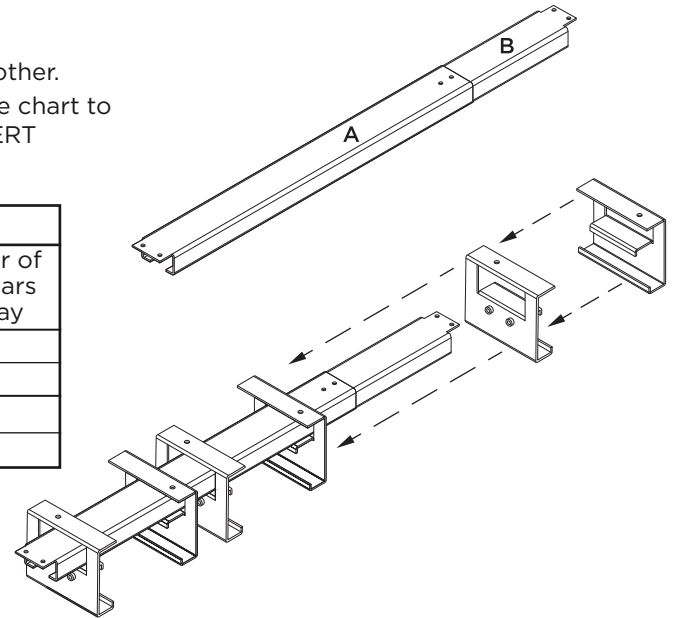
Your SpeedCell assembly kit includes:

- #8 1-1/2" screw
- #10 3/8" screw
- #8 washer
- Nylon spacers
- #8 Locknut
- #12 1" tek screw
- Brackets
- Telescoping crossbars
- SpeedCell tracks
- SpeedCell columns
- Installation spacers

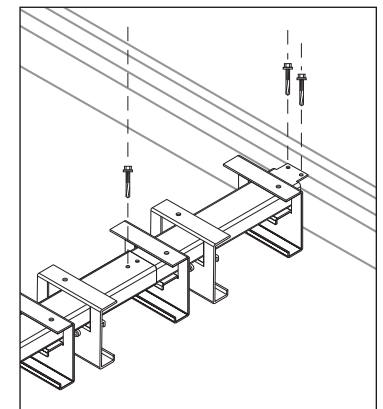
1 Install and secure the crossbars

- Slide brackets onto crossbars in pairs and facing each other.
- Place crossbars between rack beams. Use this reference chart to install the correct number of overhead crossbars. [INSERT CROSS BARS PER BAY CHART BELOW]

Crossbars Per Bay			
	Bay Opening Width	Bay Opening Beam Sizes	Number of Crossbars Per Bay
Step Beam	72" - 119"	6' - 9' 11"	3
	120" - 180"	10' - 15'	5
Box/Structural Beam	72" - 119"	6' - 9' 11"	3
	120" - 180"	10' - 15'	5



- Measure 16" in on each side of the bay. Space crossbars evenly across the beams, with one positioned at the exact center. Mark the spots.
- Secure each end of all crossbars to the beams with tek screws.
- Secure the telescoping crossbars in the center with a tek screw.

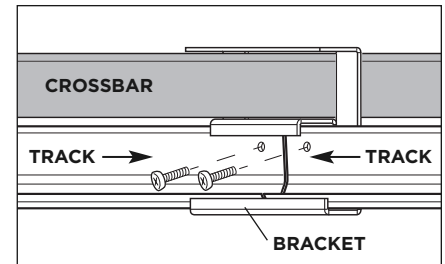
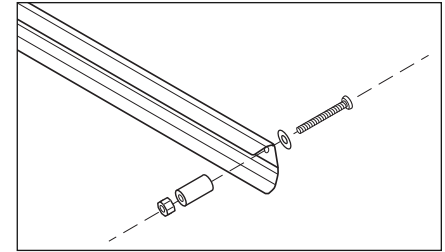
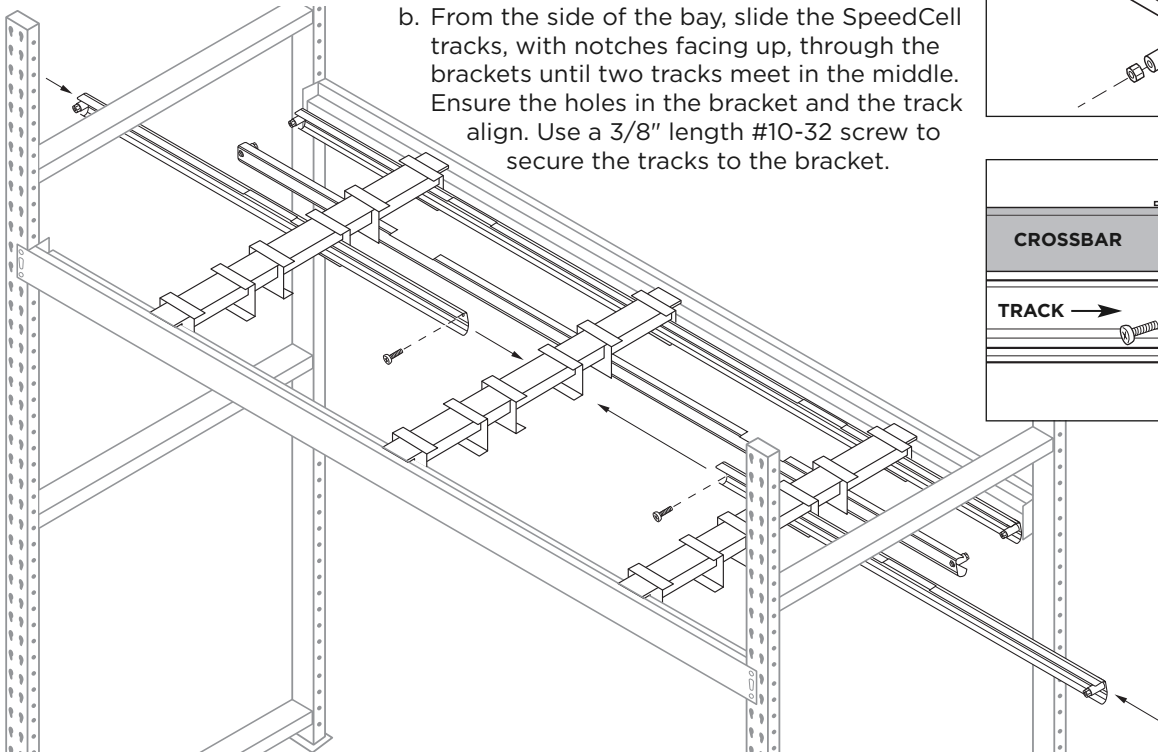


For detailed video installation instructions, please go to: www.unex.com/documents/installation-guides/

2 Install and secure the tracks

- a. Assemble and secure stopper assemblies on outside end of each track. Each stopper assembly consists of a 1-1/2" #8 screw, flat washer, nylon spacer, and a lock nut.

- b. From the side of the bay, slide the SpeedCell tracks, with notches facing up, through the brackets until two tracks meet in the middle. Ensure the holes in the bracket and the track align. Use a 3/8" length #10-32 screw to secure the tracks to the bracket.



3 Install and secure the suspension system

- a. Reference your SpeedCell configuration drawing to ensure the correct spacing of the suspension system.
- b. Starting from the back row, place an installation spacer on the overhead crossbar between the paired brackets.
- c. Drop the wheels of a single SpeedCell column into the notch of the track and roll to test the spacing of the track. If it slides without catching, secure the brackets to the crossbars with a tek screw.
- d. Repeat these steps with each installation spacer and each pair of brackets.

4 Install the columns

- a. Once all your brackets are secured to the crossbars, drop your SpeedCell columns into the track notches, starting with the back row. Install all columns into the bay.
- b. Ensure the black nylon webbing is properly aligned on the cylindrical conduit on top of the SpeedCell column.

